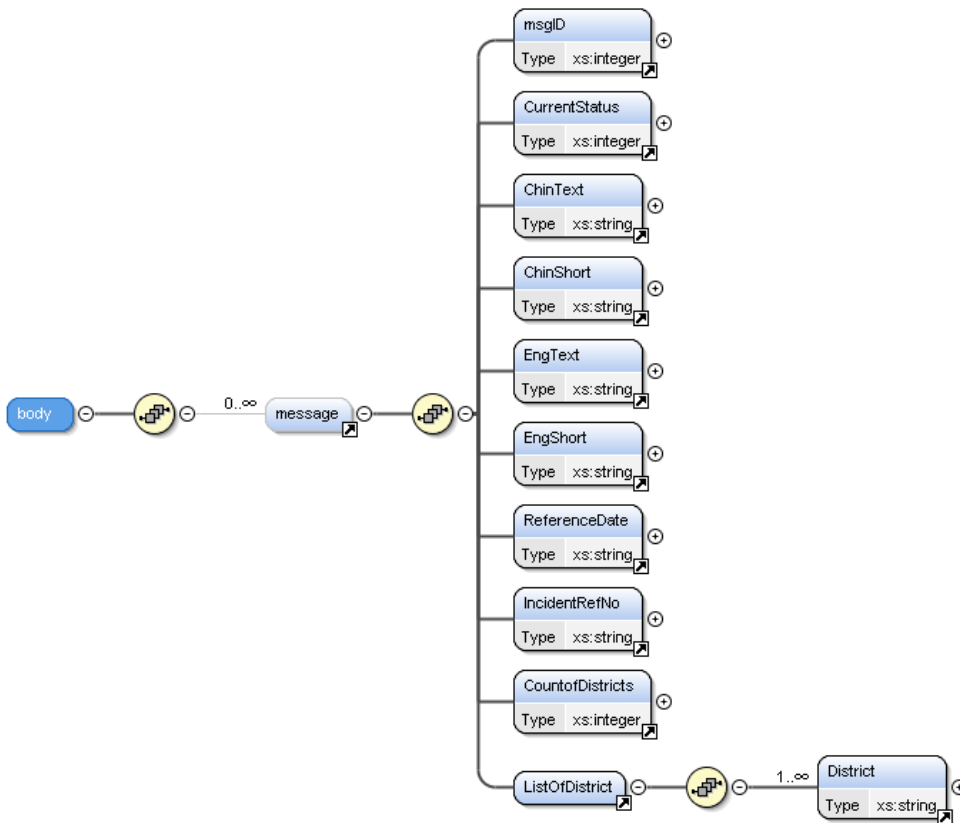


Data Specification of Special Traffic News**Schema Diagram****Sample XML**

```
<?xml version='1.0' encoding='utf-8'?>
```

```
<body>
```

```
  <message>
```

```
    <msgID> {the message id} </msgID>
```

```
    <CurrentStatus> {the status code} </CurrentStatus>
```

```
    <ChinText> {Message text (long) in Chinese} </ChinText>
```

```
    <ChinShort> {Message text (short) in Chinese} </ChinShort>
```

```
    <EngText> {Message text (long) in English} </EngText>
```

```
    <EngShort> {Message text (short) in English} </EngShort>
```

```
    <ReferenceDate> {Date} </ReferenceDate>
```

```
    <IncidentRefNo> {the IncidentRefNo (internal use only, please ignore)} </IncidentRefNo>
```

```
    <CountofDistricts> {number of districts this message applied to} </CountofDistricts>
```

```
    <ListofDistrict>
```

```
      <District> {name of district this message applied to} </ District>
```

```
      ...
```

```
      ...
```

```
    </ListofDistrict>
```

```
  </message>
```

```
  ...
```

```
  ...
```

```
</body>
```